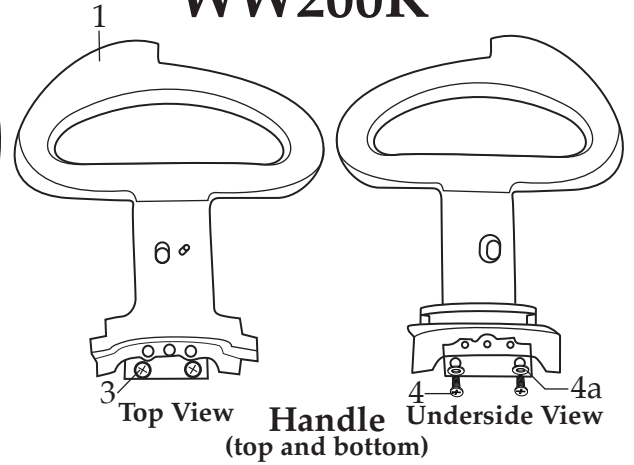


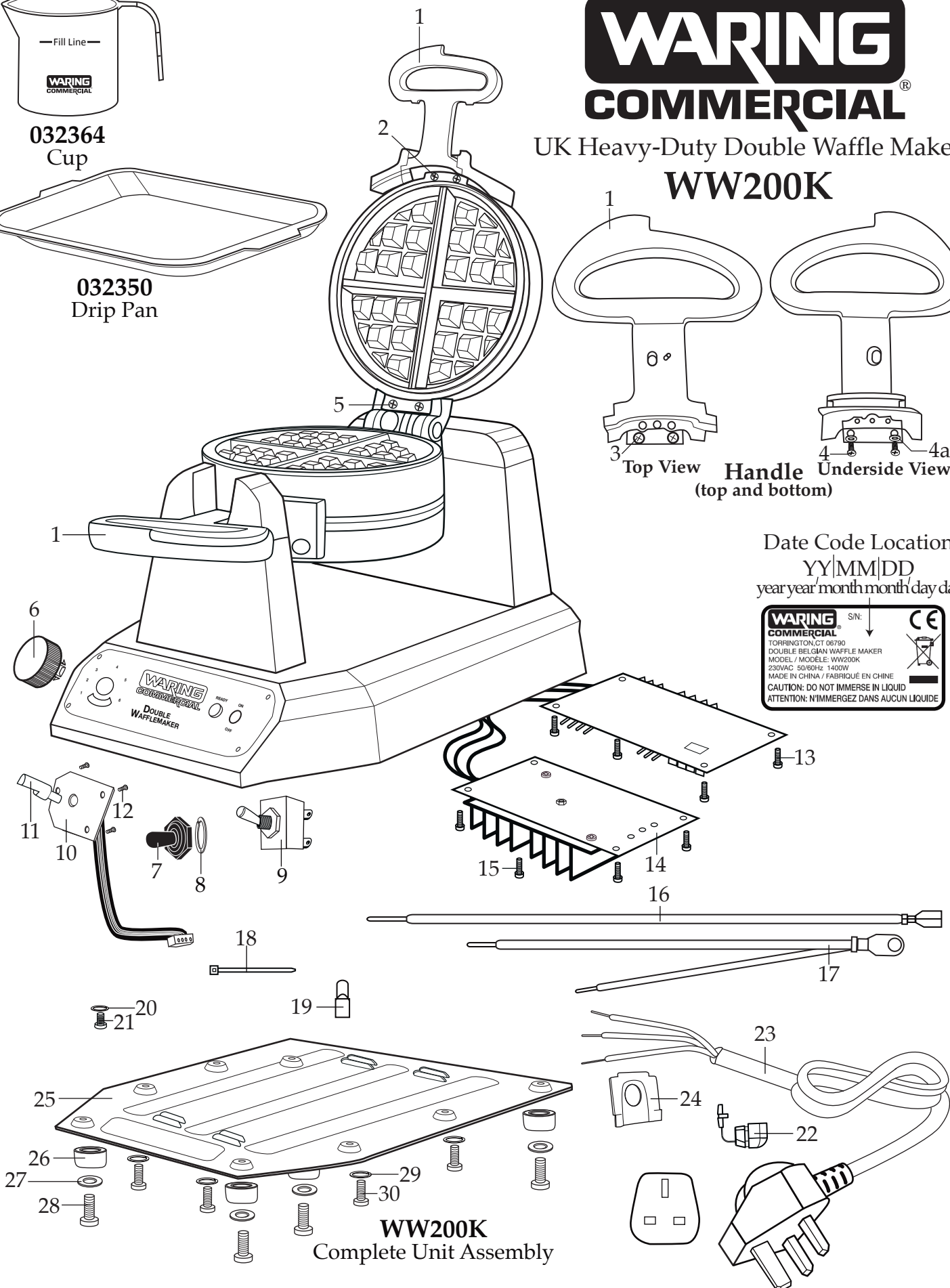
# WARING COMMERCIAL®

UK Heavy-Duty Double Waffle Maker

## WW200K



Date Code Location  
YY|MM|DD  
year year month month day day



Illustration#	Part#	Description
1	037968	Handle (top and bottom)
2	037970	Screw (2 required on both the top & bottom waffle plate)
3	032359	Screw (2 required on both the top & bottom handle half)
4	032359	Screw (2 required on both the top & bottom handle half)
4A	037969	Washer (2 required on only the top handle half)
5	037357	Screw (2 required on both the top & bottom waffle plate)
6	032745	Browning Control Knob with Insert
7	012703	Switch Boot
8	032356	Washer
9	032747	ON-OFF Toggle Switch
10	032358	Darkness Control Panel w/Long Lead Tape (thermostat)
11	036241	Connector Pole ( <i>changed 8/30/2017</i> )
12	032359	Thermostat Screw (3 required)
13	032359	Power Board Screw (4 required)
14	032763	PCB Board and Power Board Assembly
15	032359	PCB Board Screw (4 required)
16	032367	17" Red Lead Assembly
17	032764	Green-Yellow Lead
18	013731	Wire Tie (10 required)
19	019123	Large Crimp Connector (2 required)
	012409	Small Crimp Connector (7 required)
20	032751	Ground Spring Washer
21	035298	Ground Screw
22	035476	Strain Relief
	032361	Strain Relief ( <i>on units after 8/25/2016 service part#</i> )
	019694	Strain Relief
23	033494	Cord Set
24	032371	Cord Plate
25	032351	Bottom Plate
26	032353	Foot (4 required)
27	032354	Foot Washer (4 required)
28	032355	Foot Screw (4 required)
29	032751	Bottom Plate Spring Washer (4 required)
30	032750	Bottom Plate Screw (4 required)